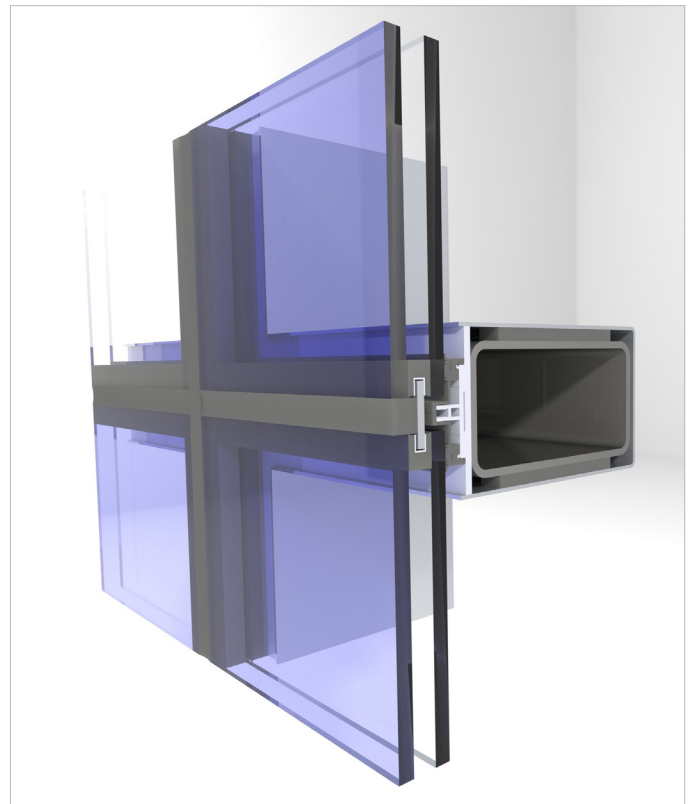
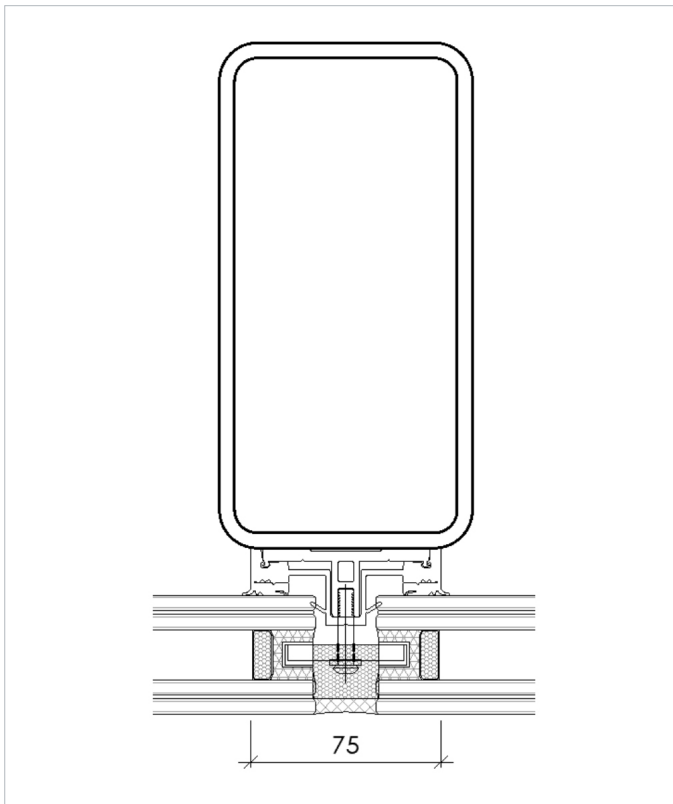


SGA75

75mm structural glazing adaptor

- Suitable to fixing into a variety of substrates.
- Offsite prototype tested to
 - AS/NZS 2047:2014 Windows and external glazed doors in buildings.
- Developed by a team of expert designers, manufacturers and installers specifically for the Australian market.
- Extruded and manufactured in Melbourne.
- Fast lead times.
- Low carbon footprint.
- For system details please contact Spective.



SGA75 Structural Glazing Adaptor